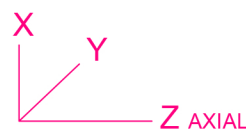
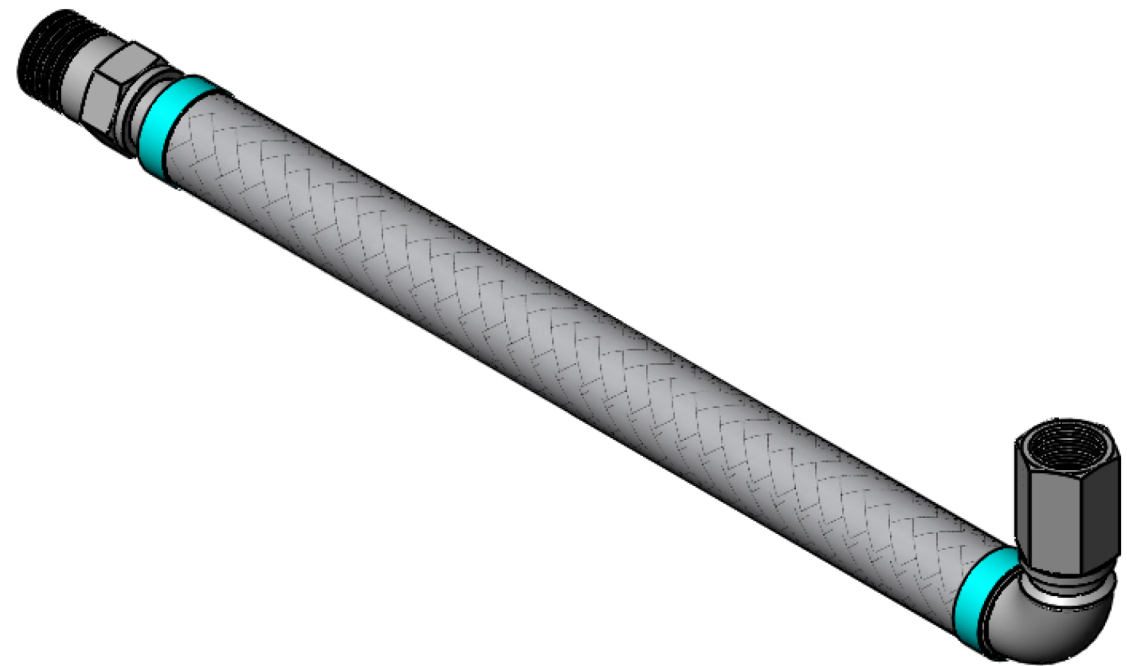
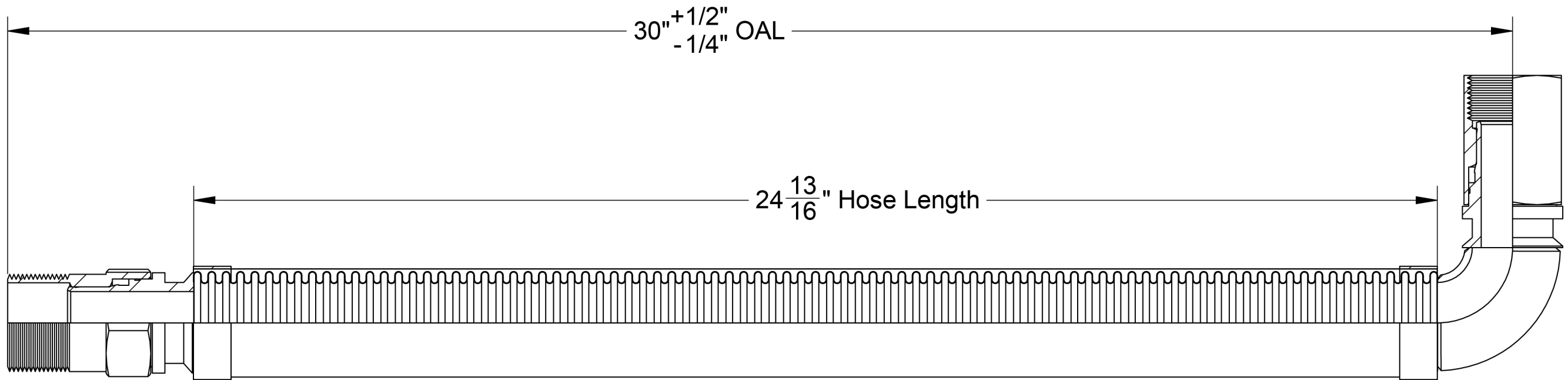


8 7 6 5 4 3 2 1



ITEM #	QTY.	PART NUMBER	DESCRIPTION	MATERIAL	WEIGHT
1	1	HOSE	300 Series Stainless HYDROFORMED Corrugated Hose	Stainless Steel	1.06
2	1	BRAID	300 Series Stainless Steel	Stainless Steel	0.10
3	2	BRAID COLLAR	0.05" Thick	Stainless Steel	0.07
4	1	1.5" MALE SWIVEL	1.5" Male Swivel, 1-1/2"x11-1/2" Thread, 1.94" Hex	Carbon Steel	1.40
5	1	1.5" ELBOW	1.5" Short Radius Elbow, Sch. 40	Carbon Steel	0.52
6	1	1.5 in Female Swivel Assem	1.5" Female Swivel, 1-1/2"x11-1/2" Thread, 1.94" Hex	Carbon Steel	1.44



HOSE MASTER Inc.

1233 East 222nd Street • Cleveland, Ohio 44117
 (800) 221-2319 • Fax: (216) 481-7557 • www.hosemaster.com
 Locations: **Cleveland • Houston**

Registered to:
ISO 9001 : 2000



Projection:	Customer: Hose Master Inc.	Prepared By: kannk
	Reference: Fire-Shield - 1.5" Male Swivel x 1.5" 90 Degree Female Swivel x 30" OAL	CALC. WEIGHT: 5 lbs. Date: 9/24/2009

Description: **1.5" ID x 30" OAL 300 Series Stainless HYDROFORMED Corrugated Hose covered by 300 Series Stainless Braid. UL Approved 1.5" Male Swivel Connector x 1.5" ID 90 Degree Female Swivel Connector**

Drawing #:	FSSWE0150x30	Rev.:	-	SHEET 1 OF 1
------------	---------------------	-------	---	--------------

REVISIONS			
REV.	DESCRIPTION	DATE	APPROVED

8 7 6 5 4 3 2 1